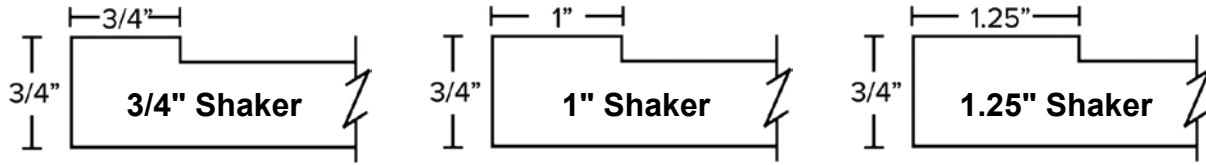
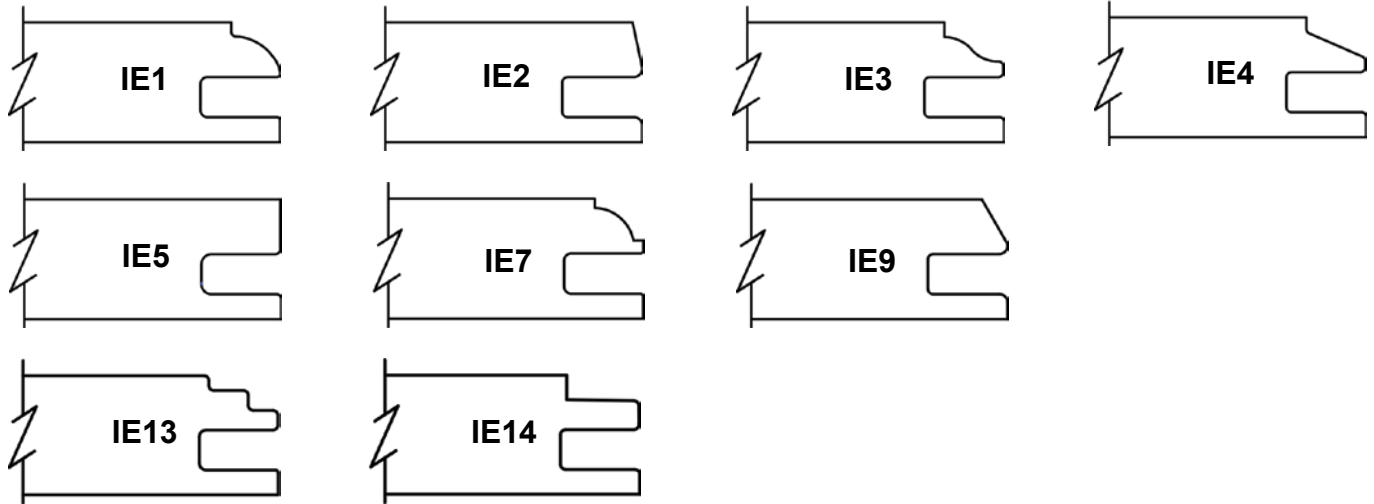


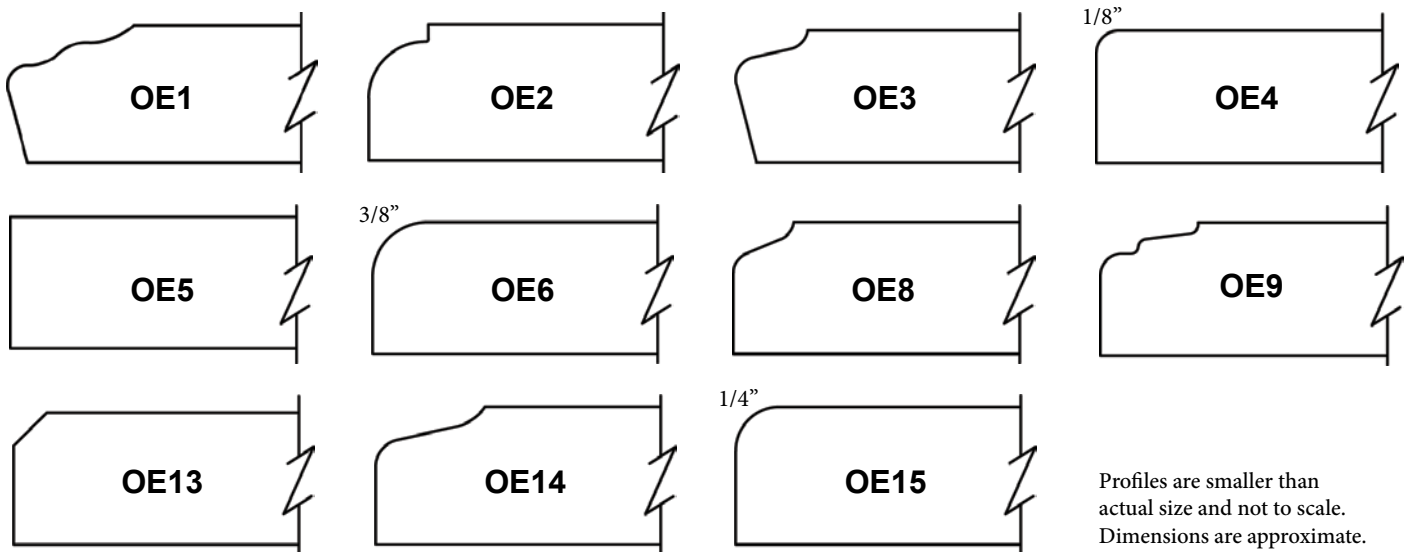
4S Profiles (Patent Pending)



Cope and Stick Inside Edge Profiles



Cope and Stick Outside Edge Profiles



Profiles are smaller than actual size and not to scale. Dimensions are approximate.

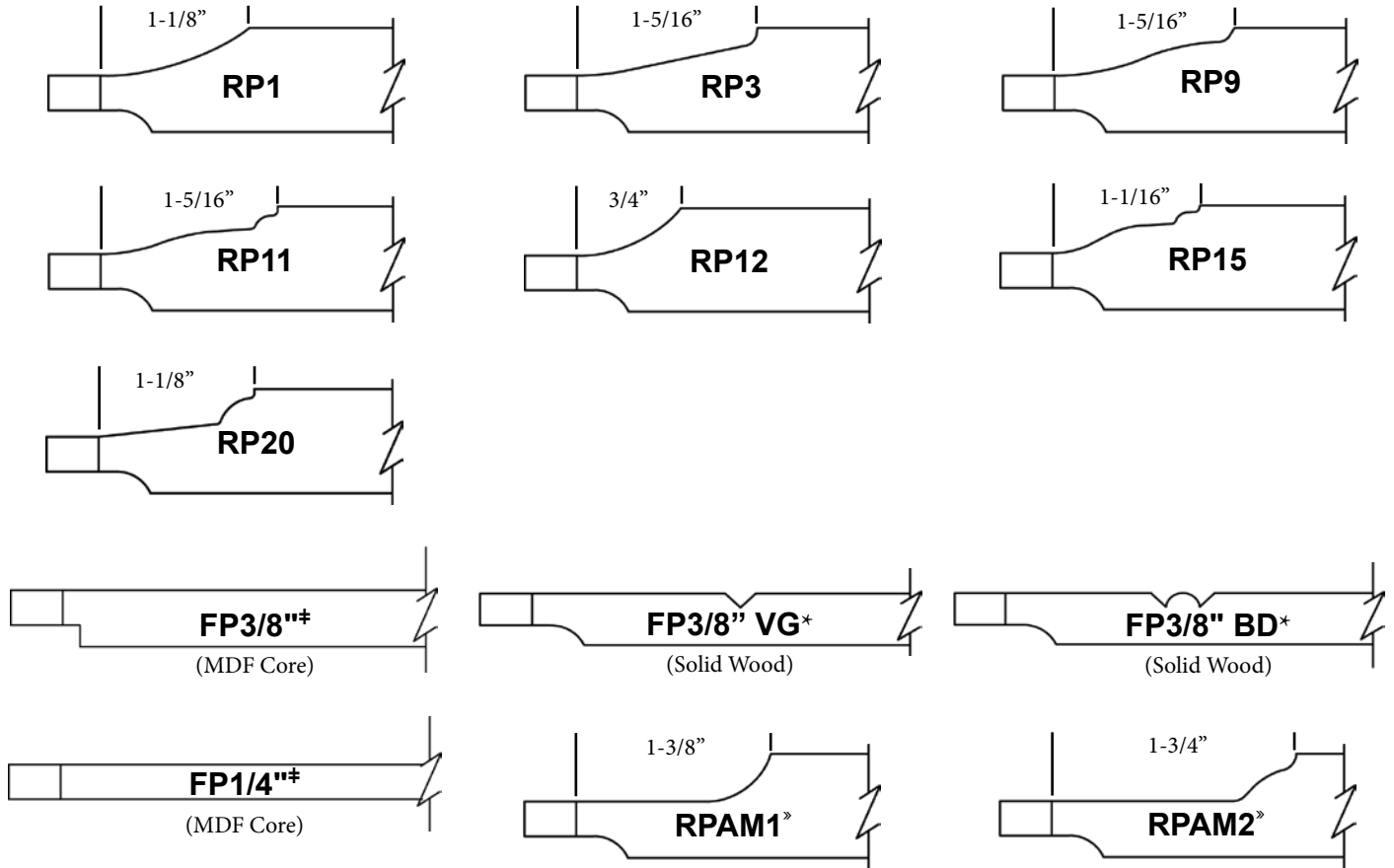
Veneer Edge Profiles



Profiles are shown smaller than actual size. *Additional sq. ft. or per piece charge applies.

Panel Profiles

(Noted panel reveal is approximate and can vary due to expansion/contraction)

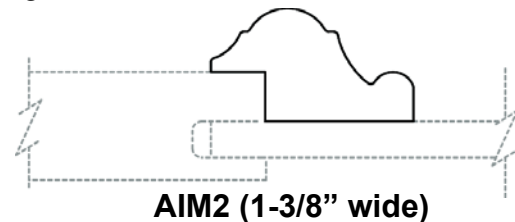
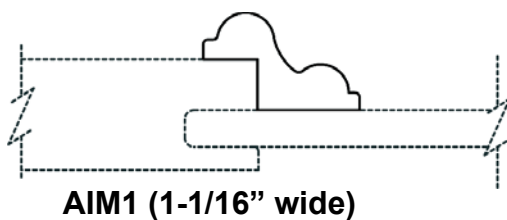


‡RPAM1 and RPAM2 are for use on Inside Applied Molding Doors.
Reveal varies depending on which applied molding is used.

**FP3/8" VG and FP3/8" BD grooves and beads are centered on panel and 2" apart on center. Additional per sq. ft. charge applies. These profiles are solid wood panels so solid raised panel minimum width and height apply.

‡1/4" and 3/8" MDF core panels have the same species on face and back of the panel for all standard species. 1/4" panels are true 1/4" thickness.

Inside Edge Applied Molding Profiles



Inside edge applied moldings are available on cope and stick door styles using FP3/8", RPAM1 or RPAM2 and any outside edge.

Profiles are shown smaller than actual size.